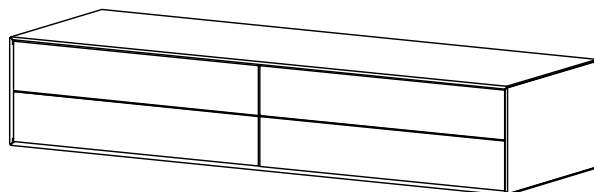


# Fermo

Design by BoConcept

Samvejledning - Assembly Instructions - Montageanleitung - Instructions d'assemblage - Instrucciones de montaje



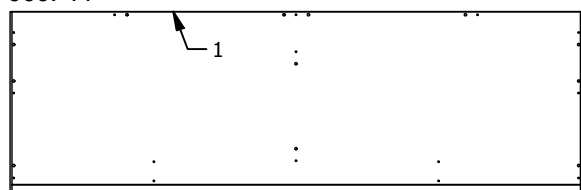
**1230**

29 x 152 x 48 cm.  
Max 40 kg.

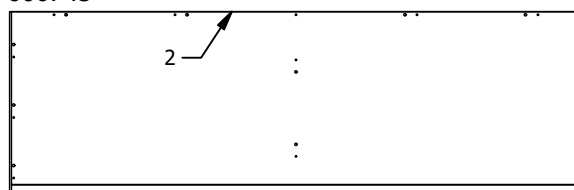
## General use according to EN16121

Col. 1231

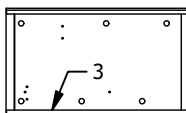
006744



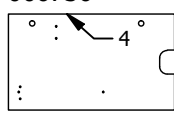
006745



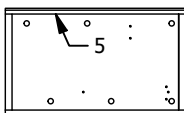
006739



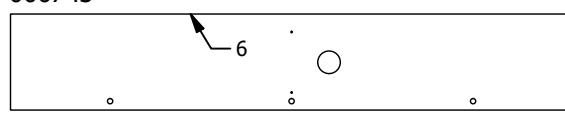
006736



006735



006743



Fittingbox 930001175



A x 9  
970001723



B x 24  
970002008



C x 17  
970002004



D x 14  
970001383



K x 1  
970002015



J x 17  
970001997



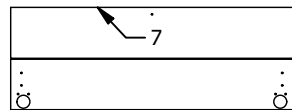
S x 1  
970000842



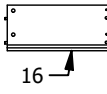
R x 2  
970001688

Col. 1232

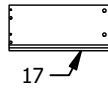
006741



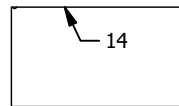
006708



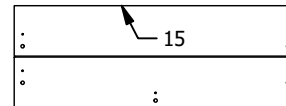
006709



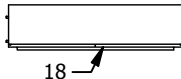
006742



006969



006710



Fittingbox 930001176



C x 4  
970002004



J x 4  
970001997



L x 1  
970000760



M x 2  
970001717  
3,0 x 15



N x 1  
970001621



P x 1  
970001622



Q x 1  
970001623



E x 1  
970001624



F x 1  
970001625



G x 2  
970001325



H x 8  
970001095  
3,5 x 15 mm  
Stainless steel



U x 4  
970001204



V x 4  
970002005



W x 1  
970002013



Y x 1  
970002014



AA x 4  
970001419  
6,2 x 13



BB x 4  
970001719  
3,5x20 mm



CC x 1  
970001939



DD x 1  
970001726



EE x 2  
970001990  
3,5 x 10



FF x 4  
970001718  
3,5 x 15 mm



GG x 4  
970001680  
4,2 x 9,5



HH x 2  
970001328

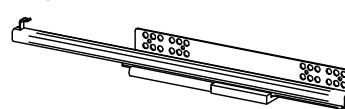


JJ x 2  
970001327

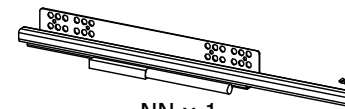


KK x 2  
970001044

Fitting box 930001171



Z x 1  
970002012



NN x 1  
970002011



B x 24



C x 17



J x 17



K x 1

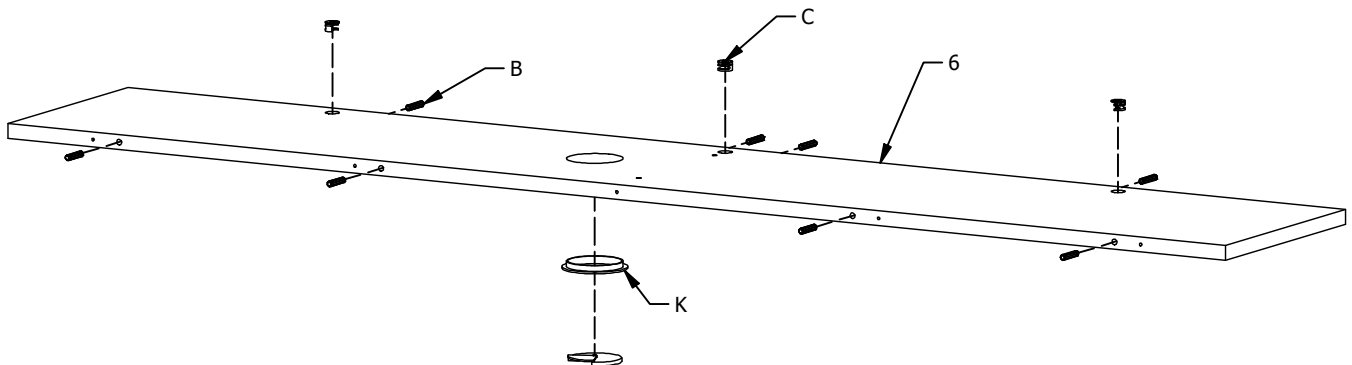
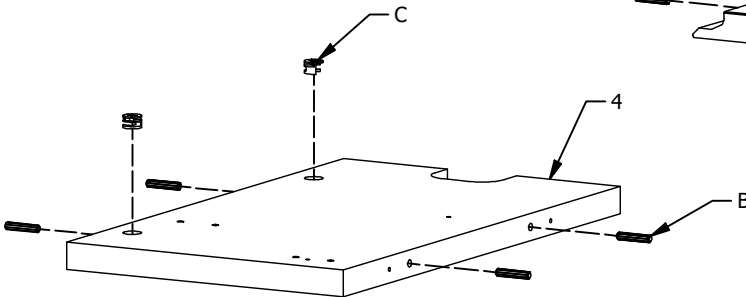
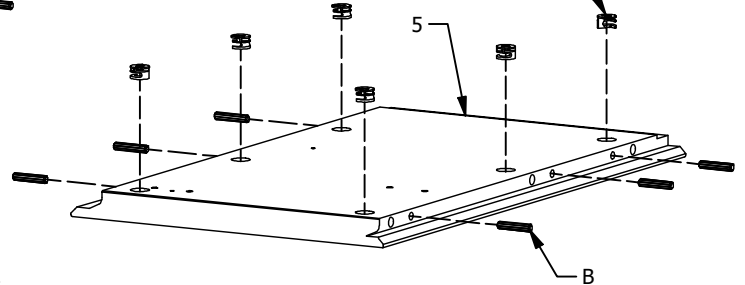
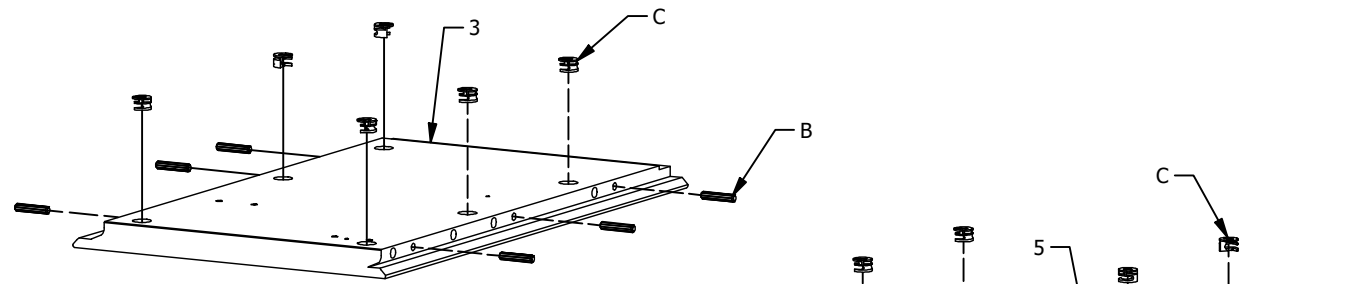
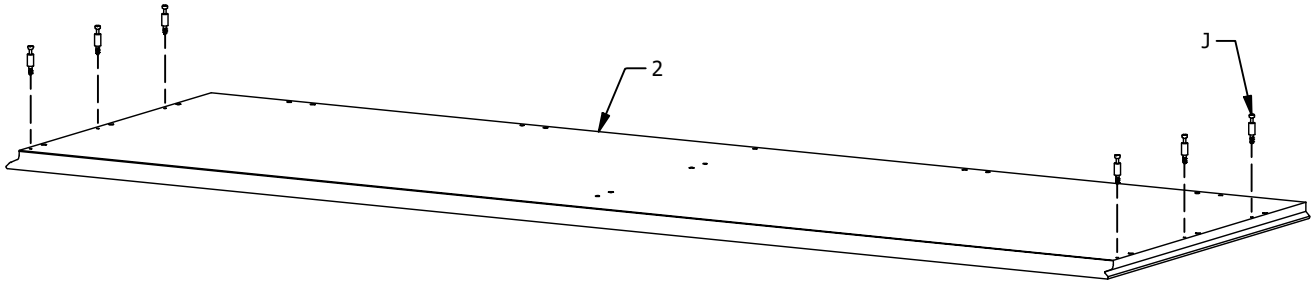
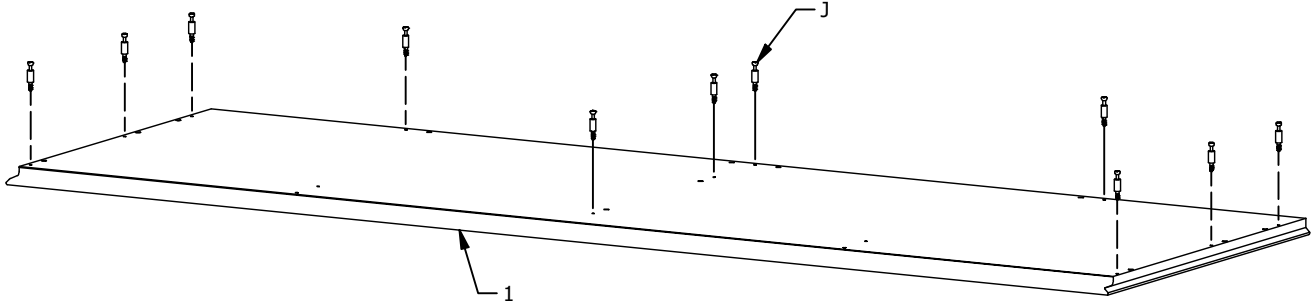


FIG. 2

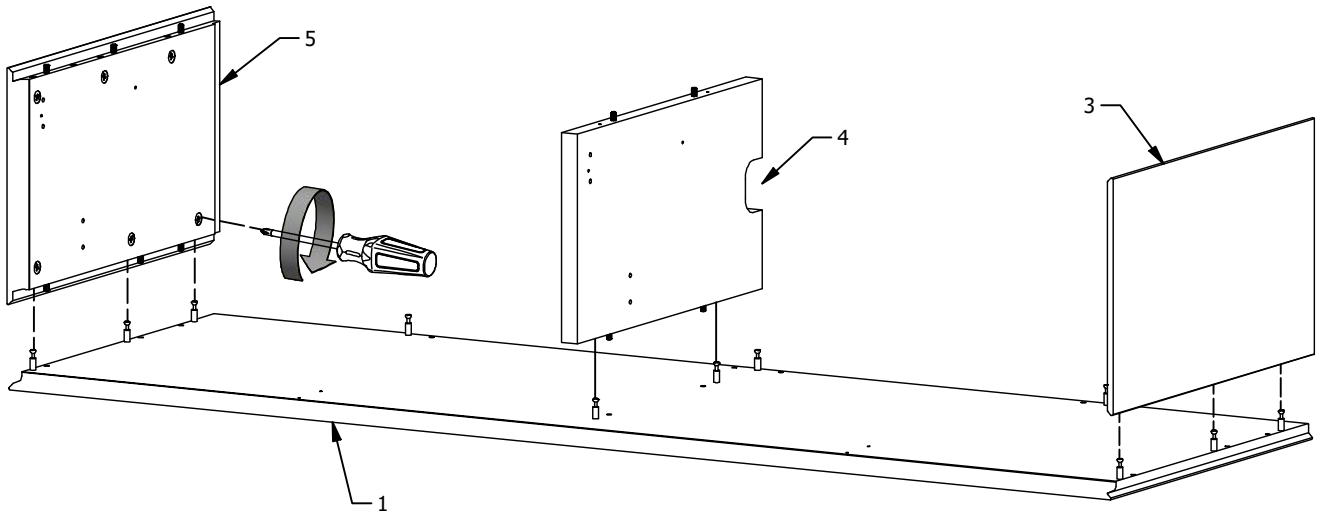


FIG. 3

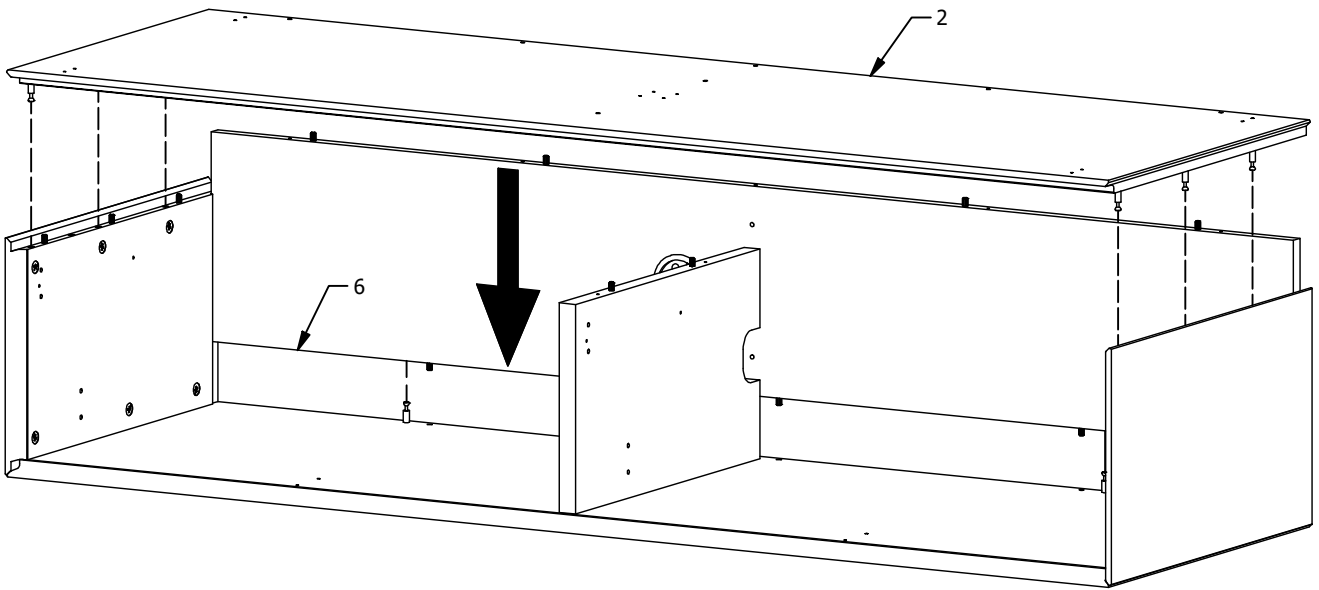


FIG. 4

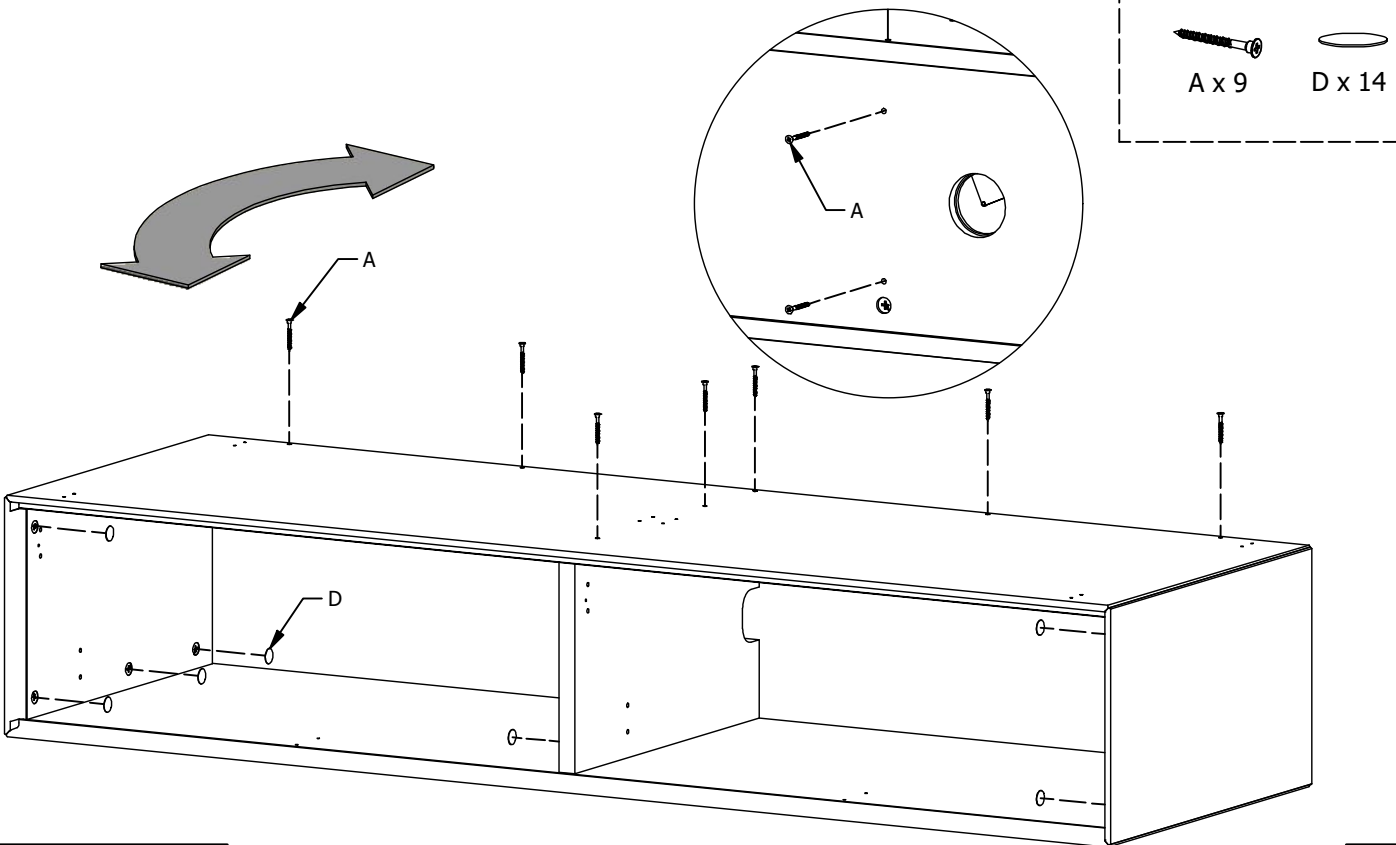
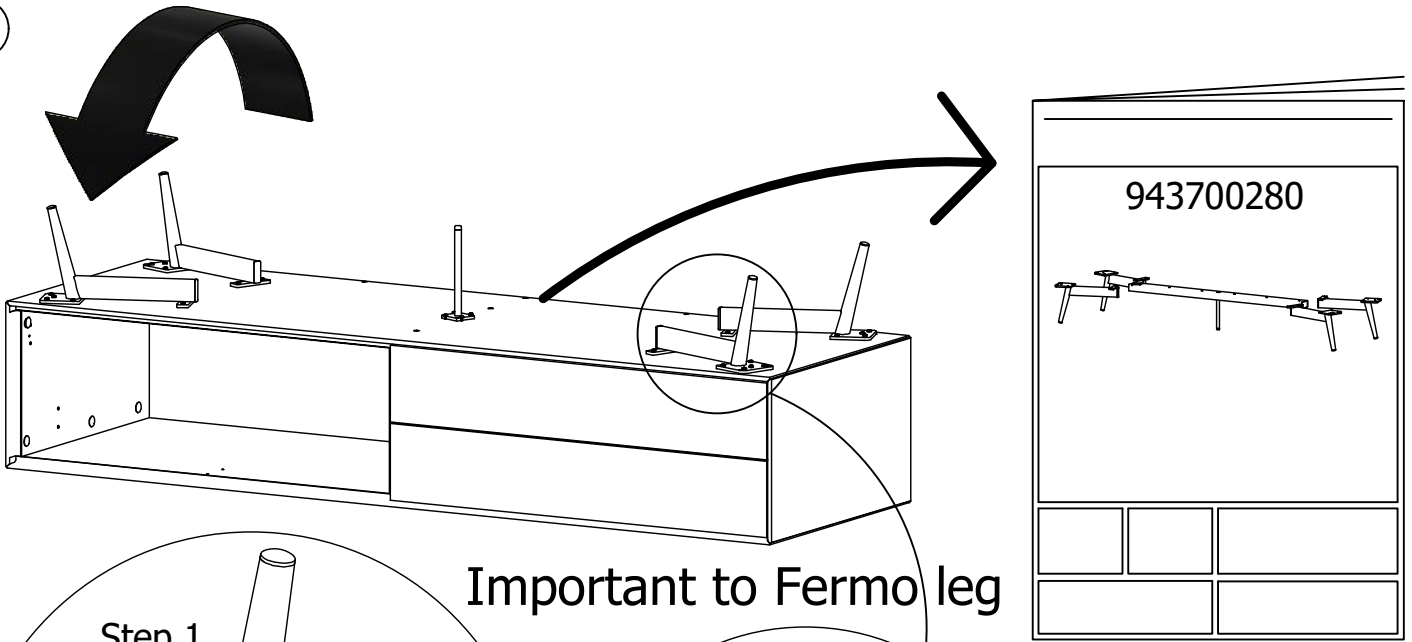
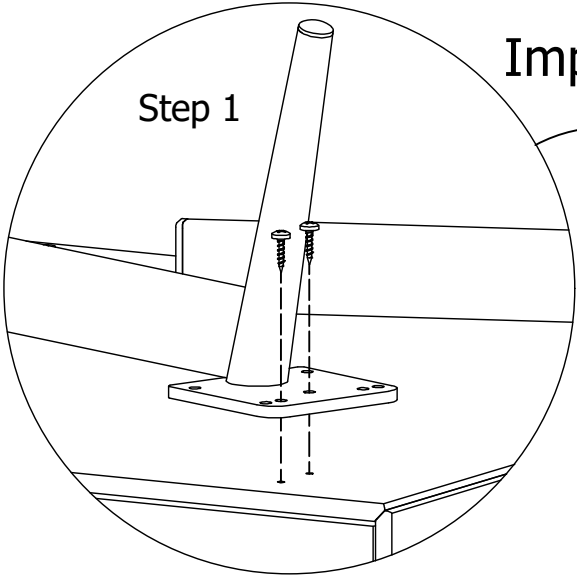


FIG. 5



Important to Fermo leg

Step 1



Step 2

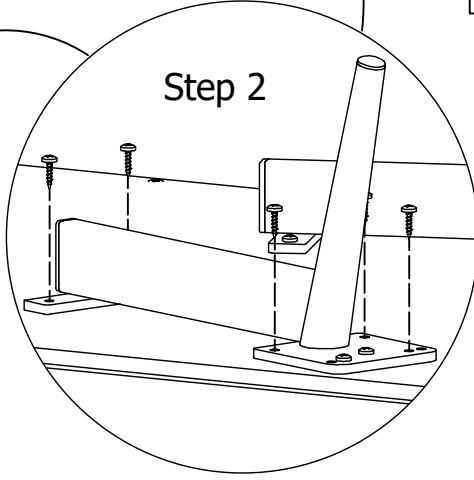
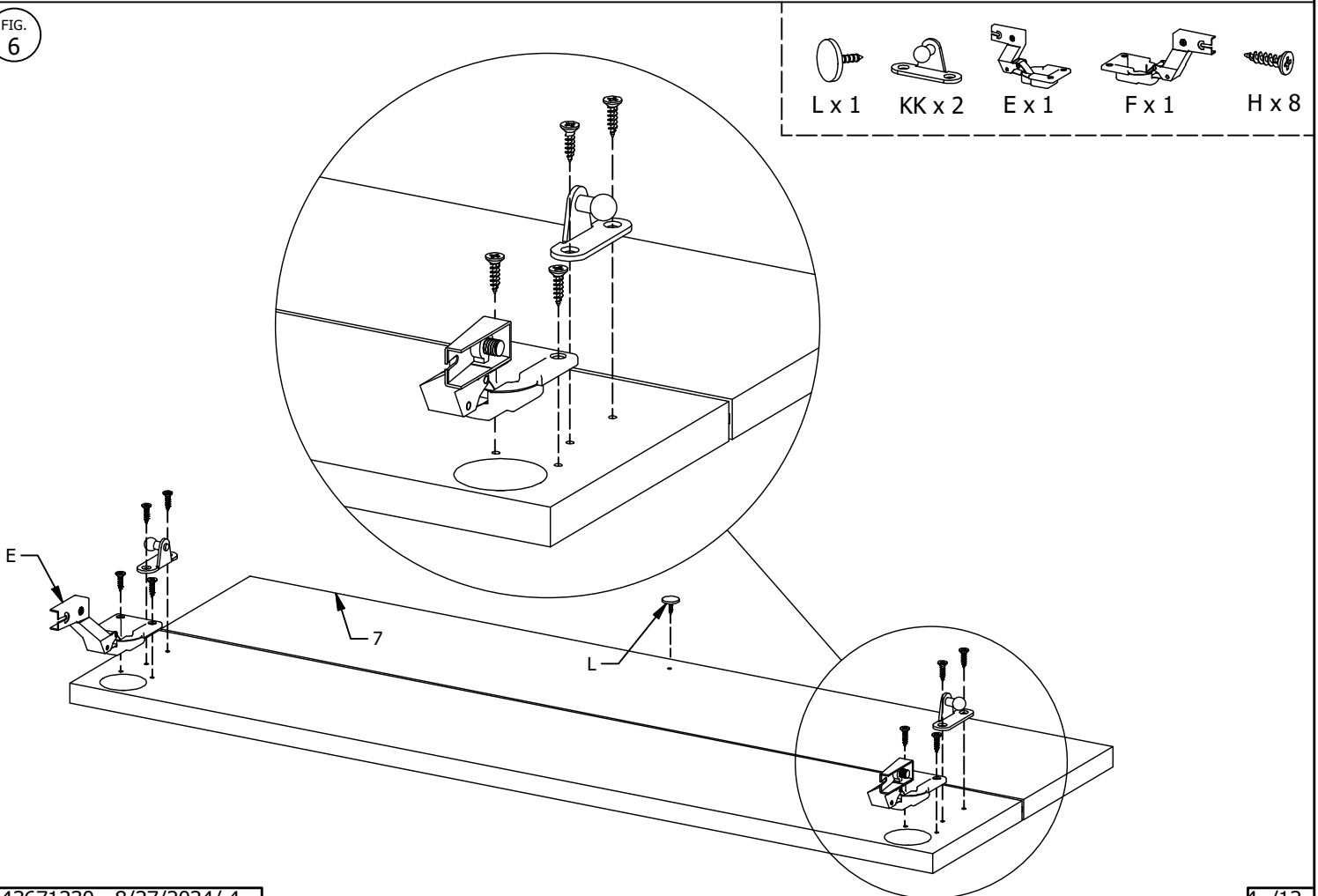


FIG. 6



- AA x 4  
6,2 x 13
- M x 2  
3,0 x 15
- JJ x 2
- P x 1
- Q x 1
- G x 2
- N x 1

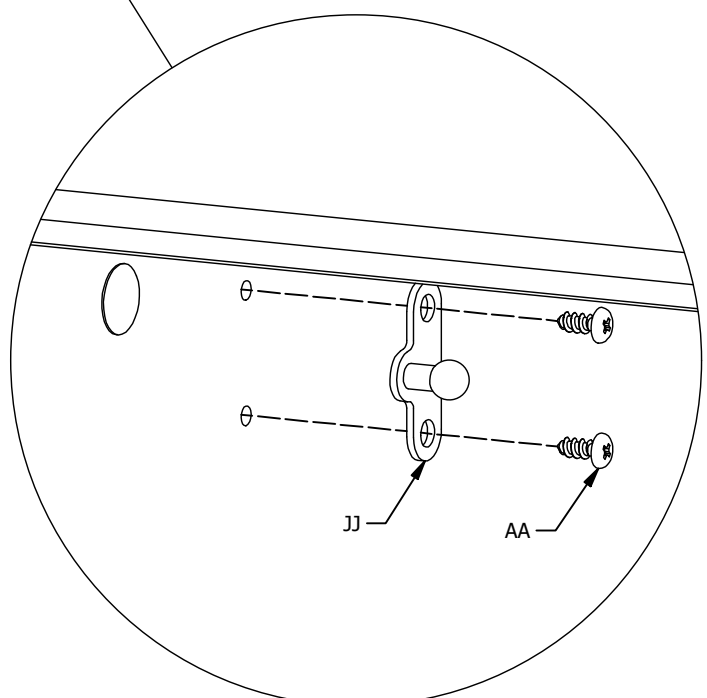
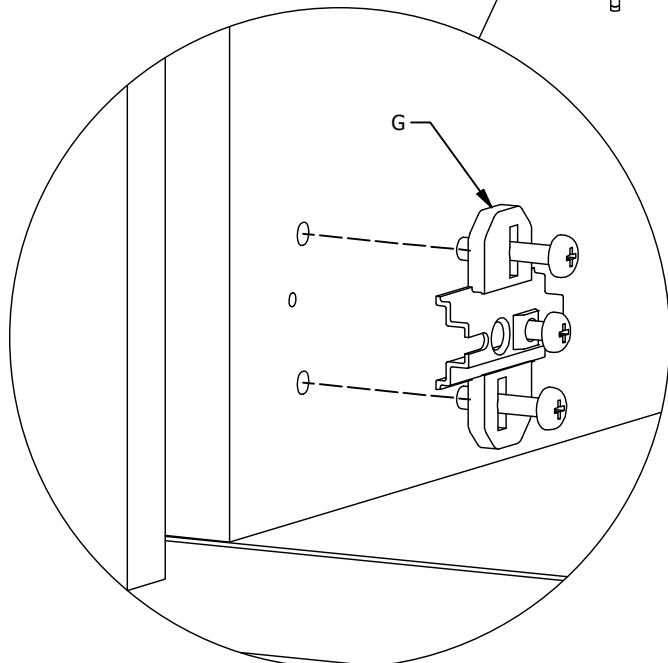
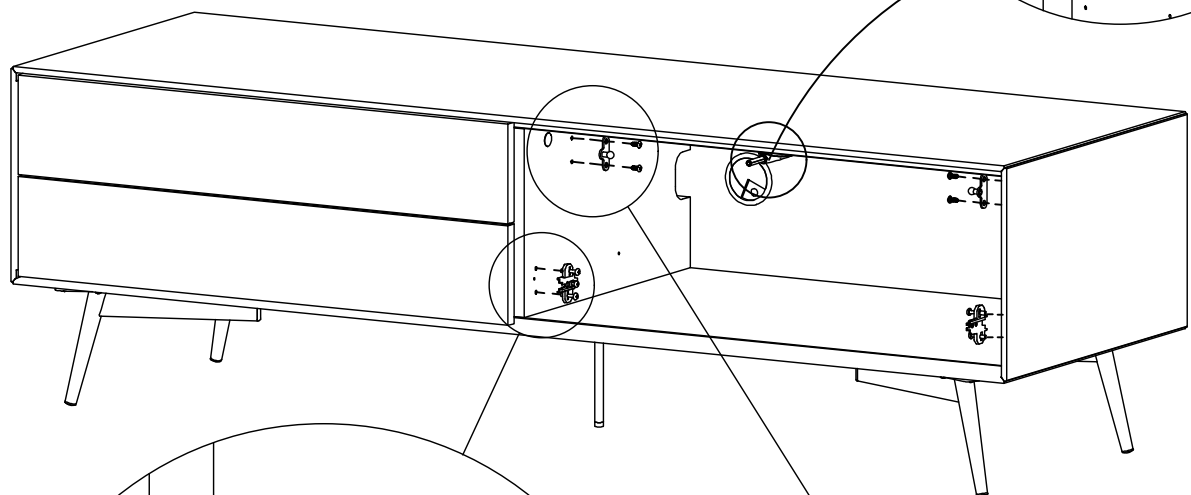
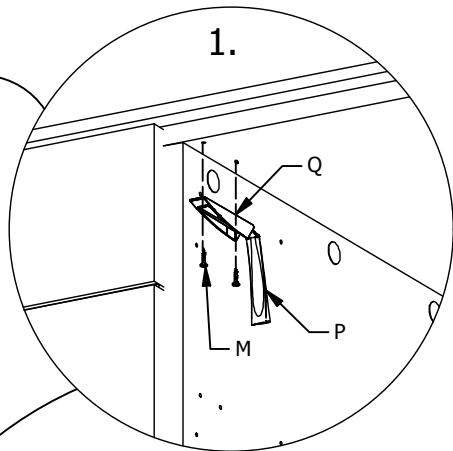
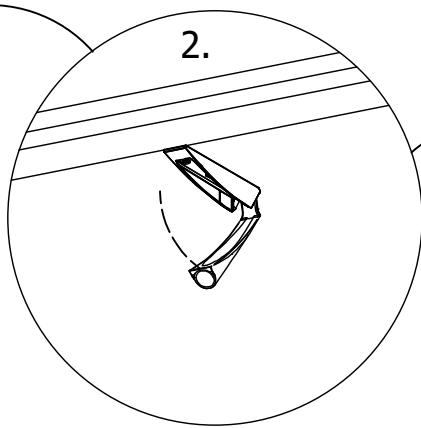
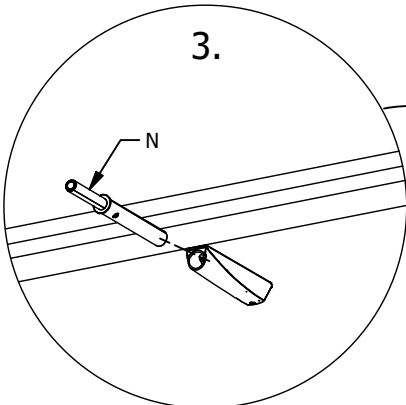


FIG. 8

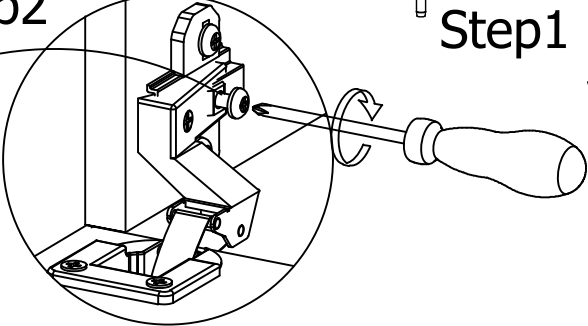
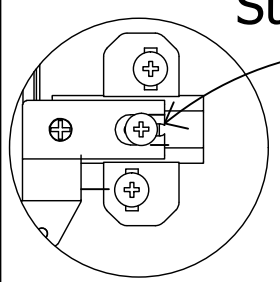
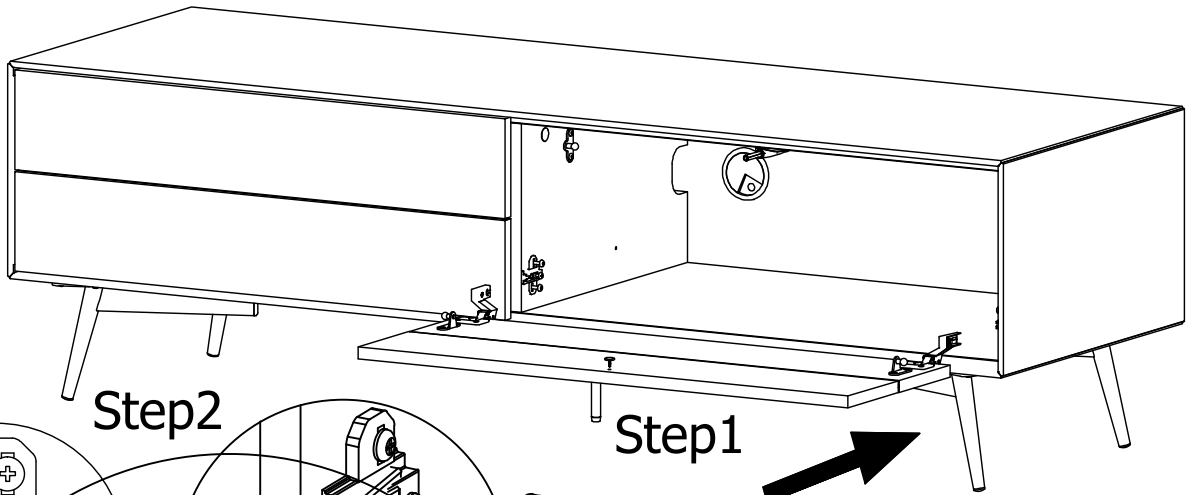


FIG. 9

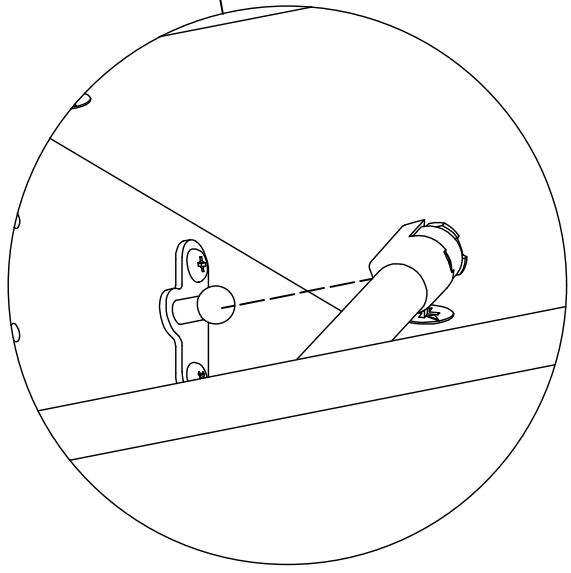
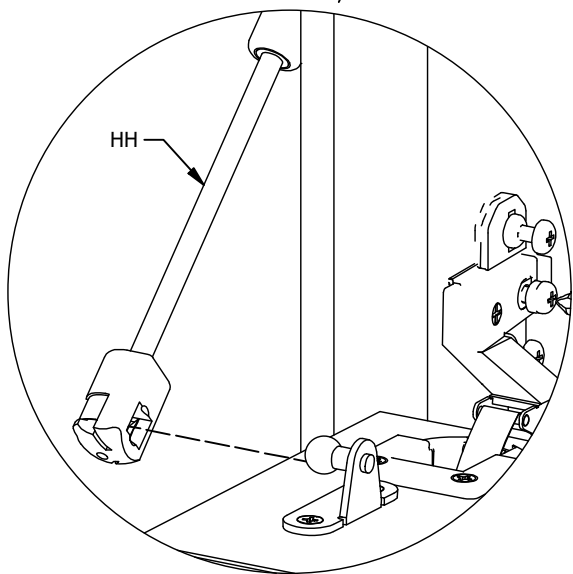
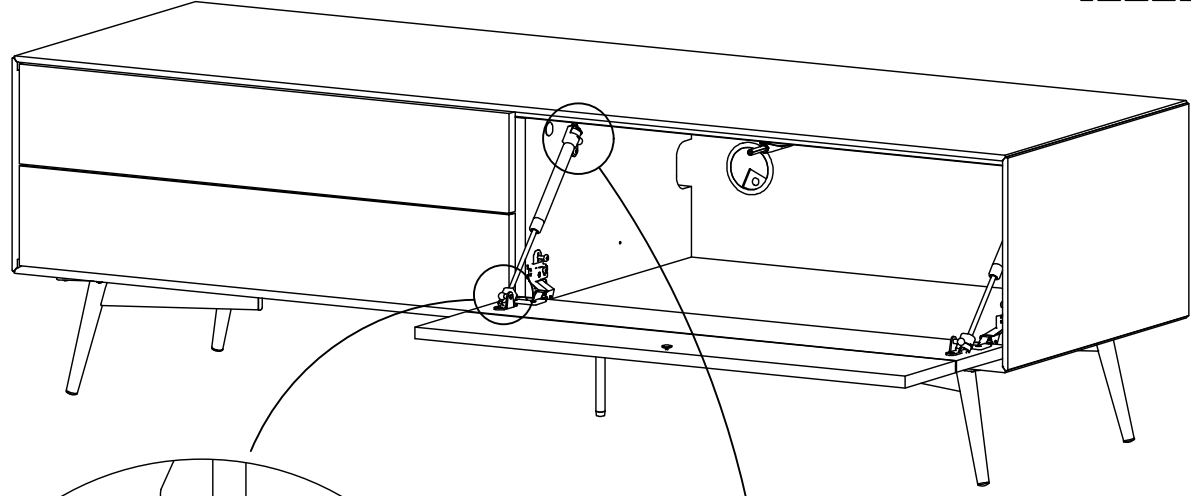
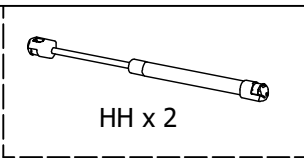


FIG. 10

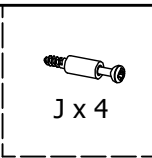
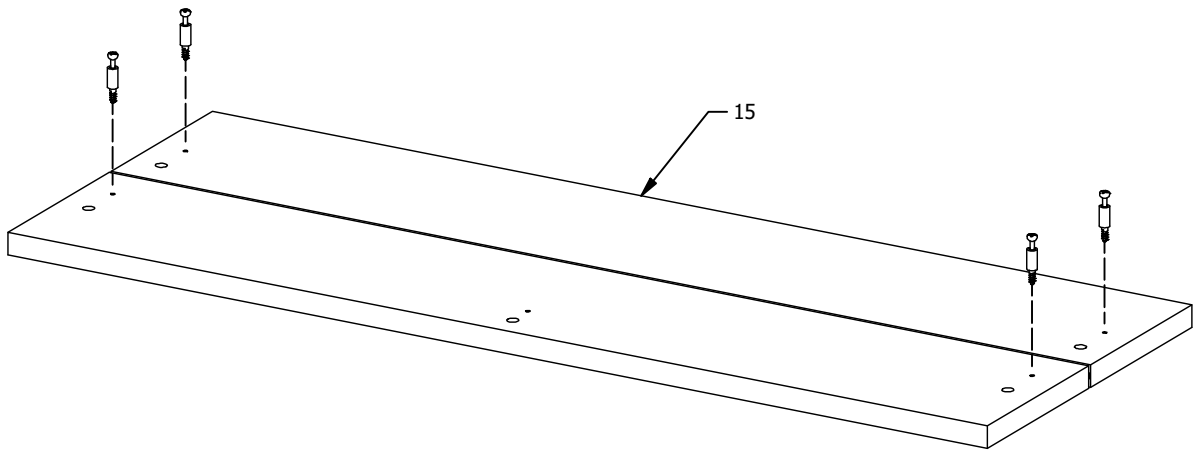


FIG. 11

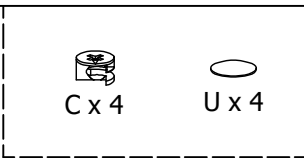
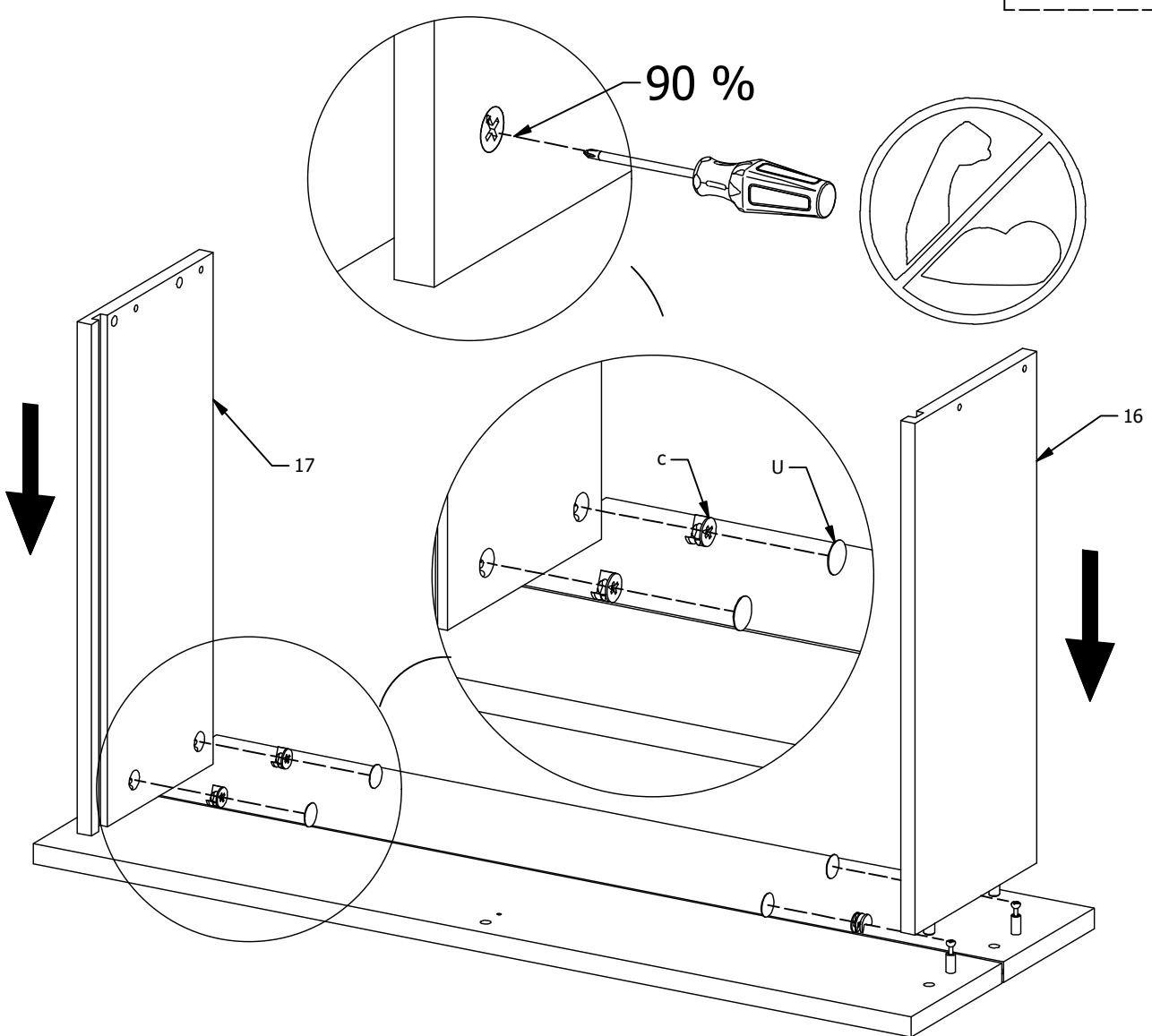


FIG. 12

Important

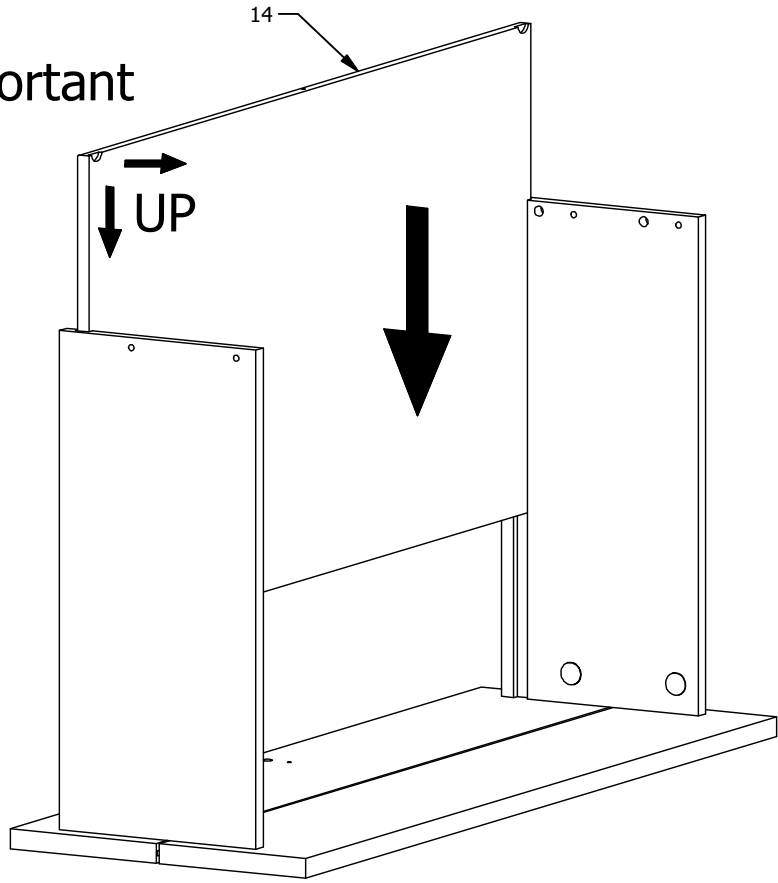


FIG. 13

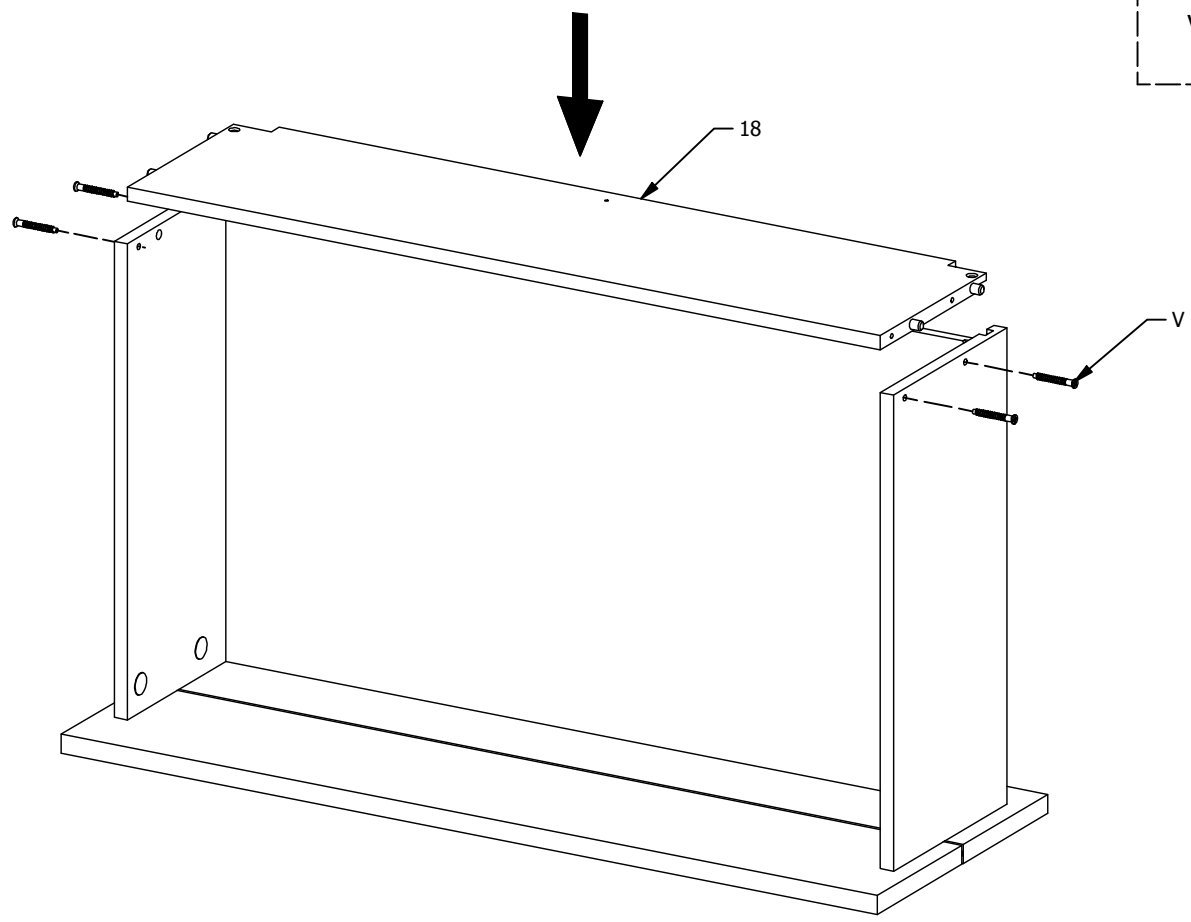
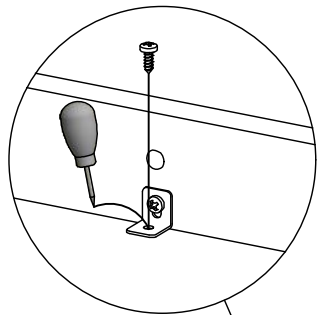
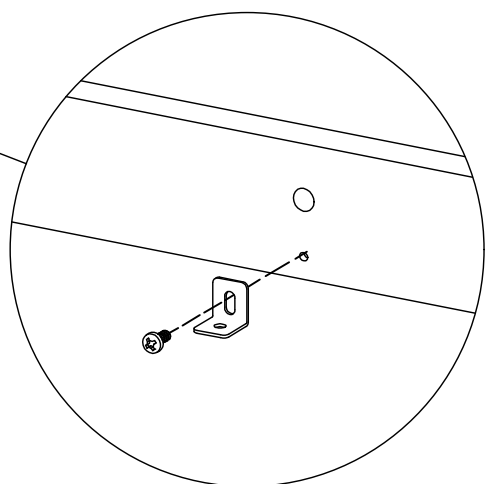
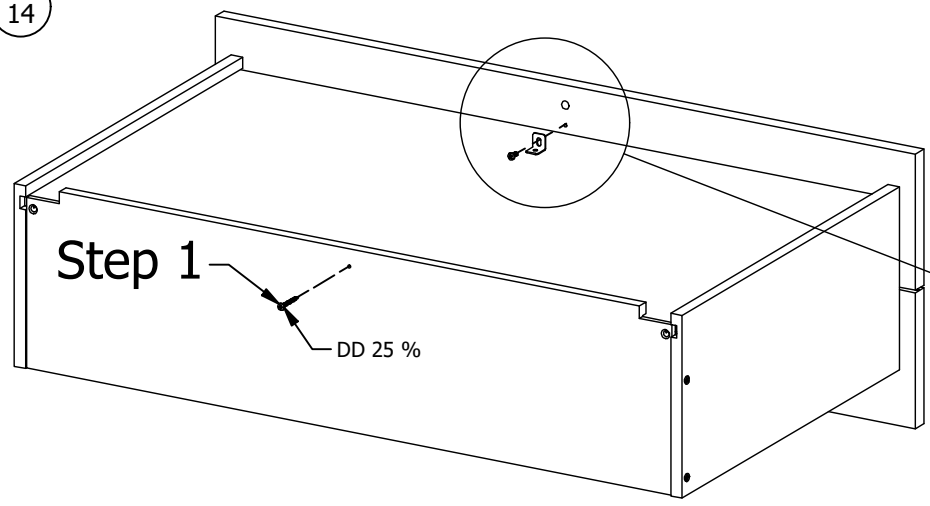


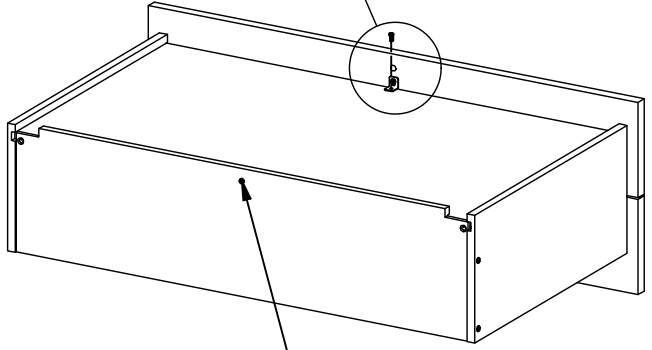
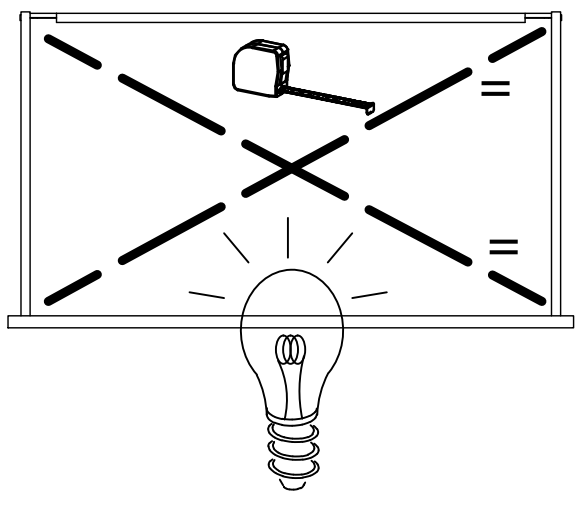


FIG. 14

- CC x 1
- DD x 1
- EE x 2



Step 3 **Important**



Step 5 100 %

- W x 1
- Y x 1
- BB x 4

FIG. 15

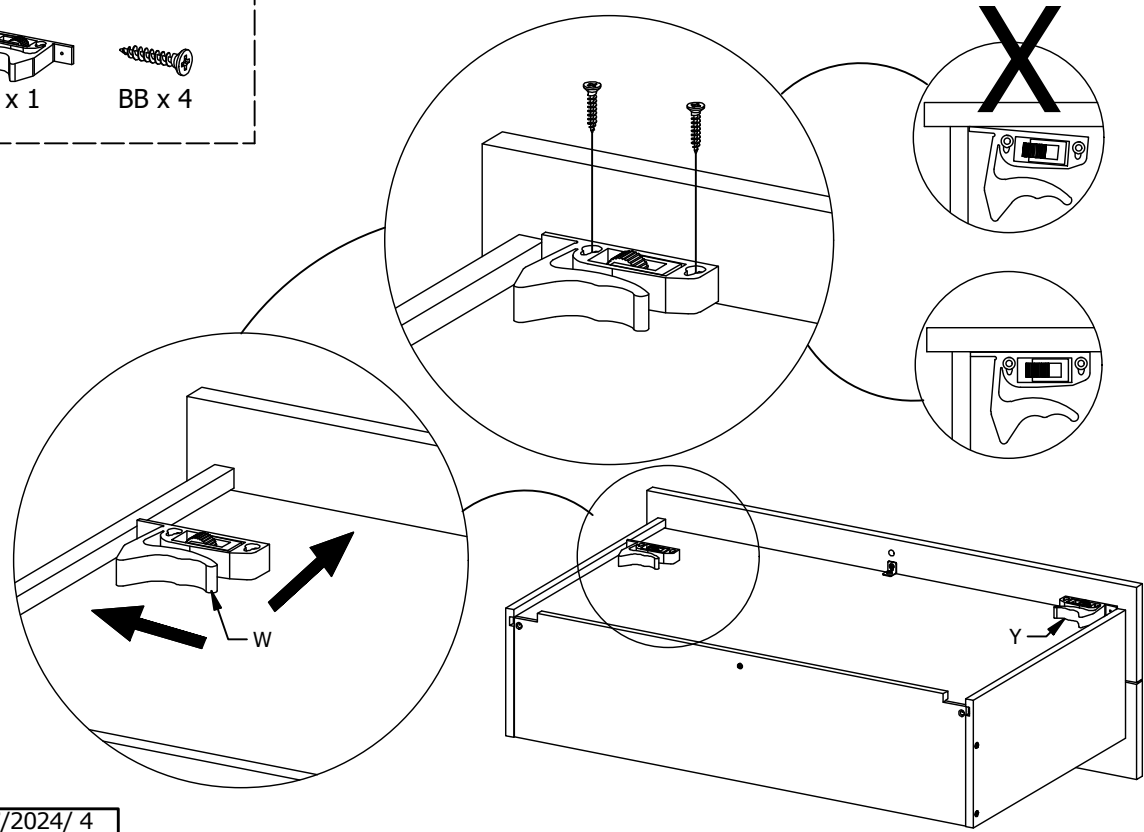


FIG. 16

- NN x 1
- Z x 1
- FF x 4  
3,5 x 15 mm
- GG x 4  
4,2 x 9,5

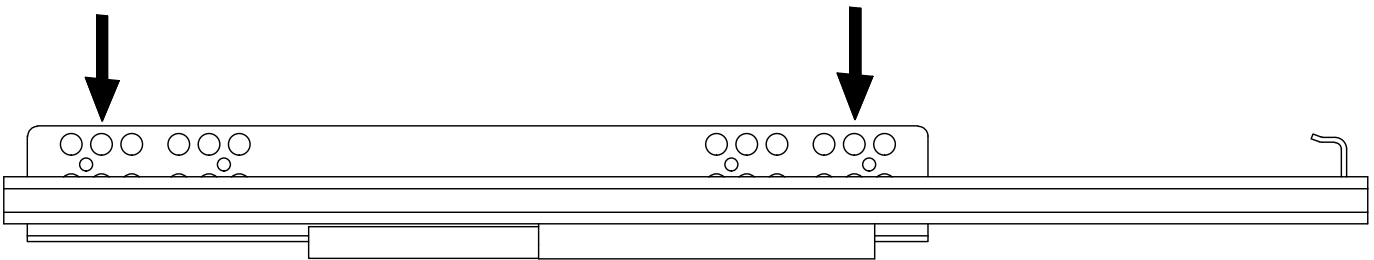
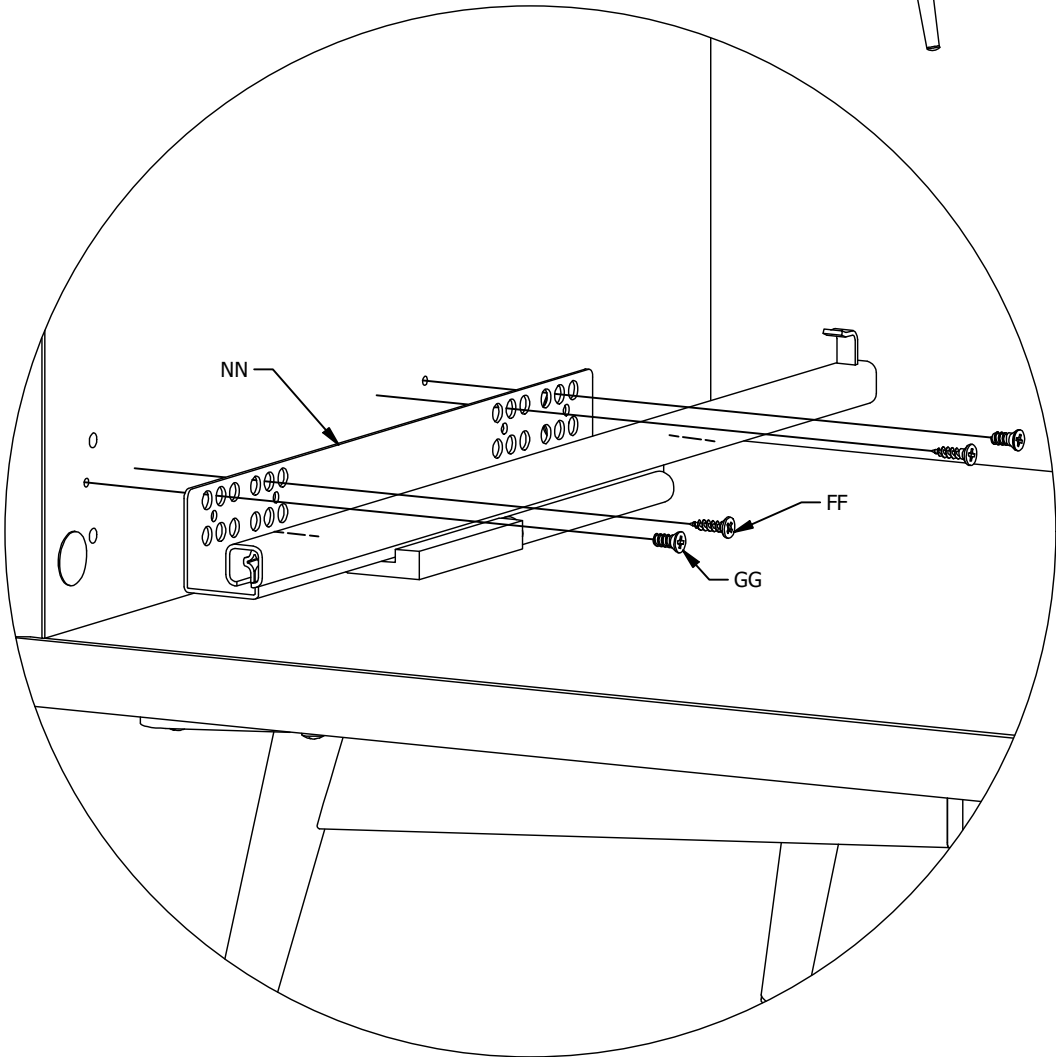
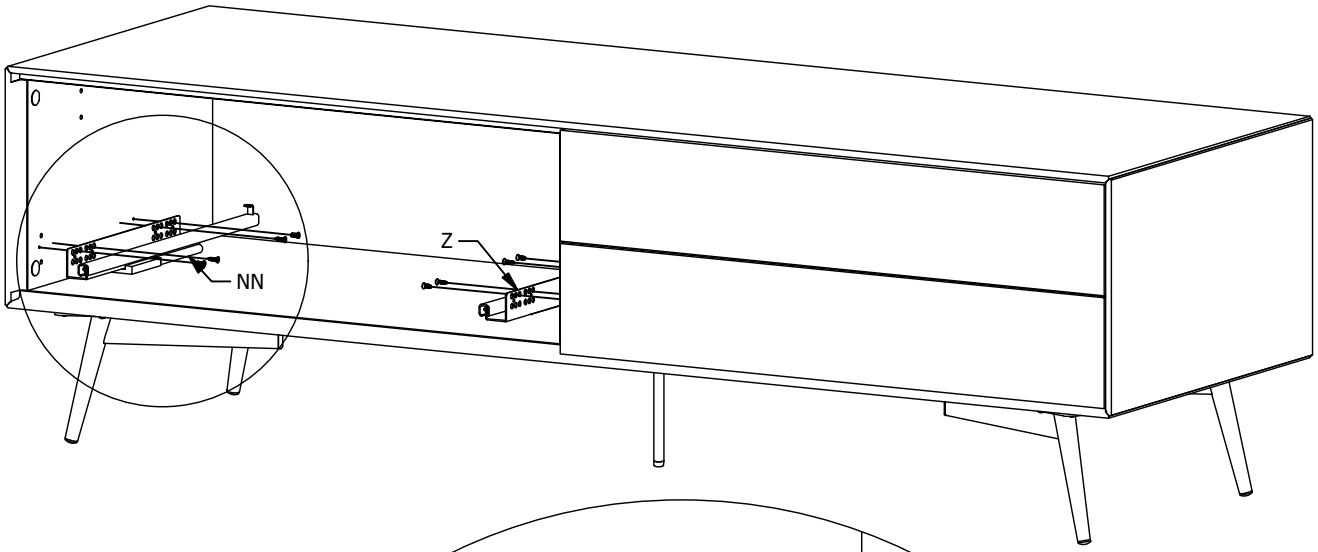


FIG. 17

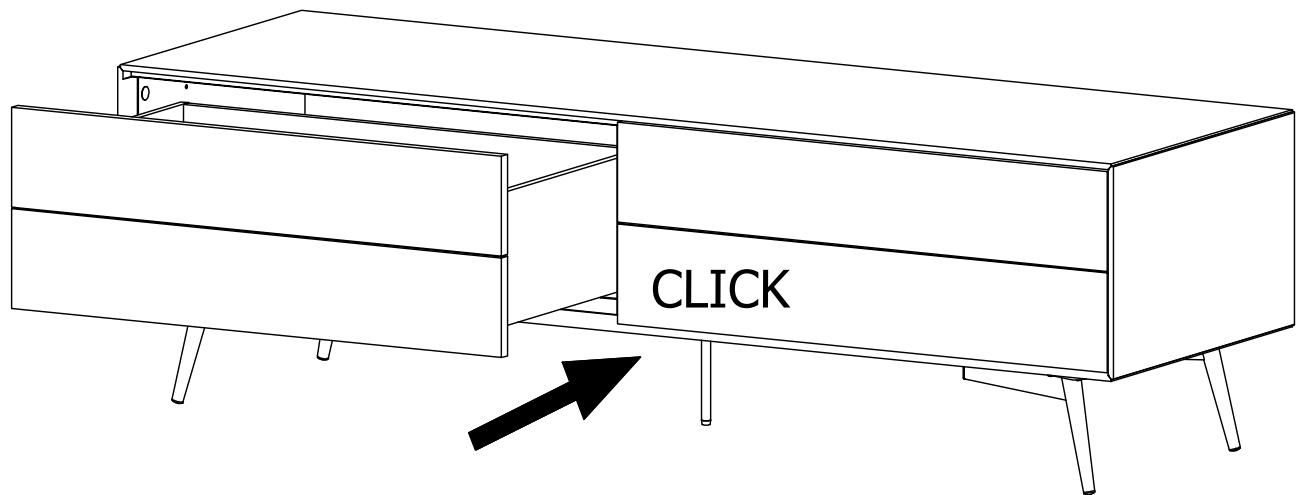


FIG. 18

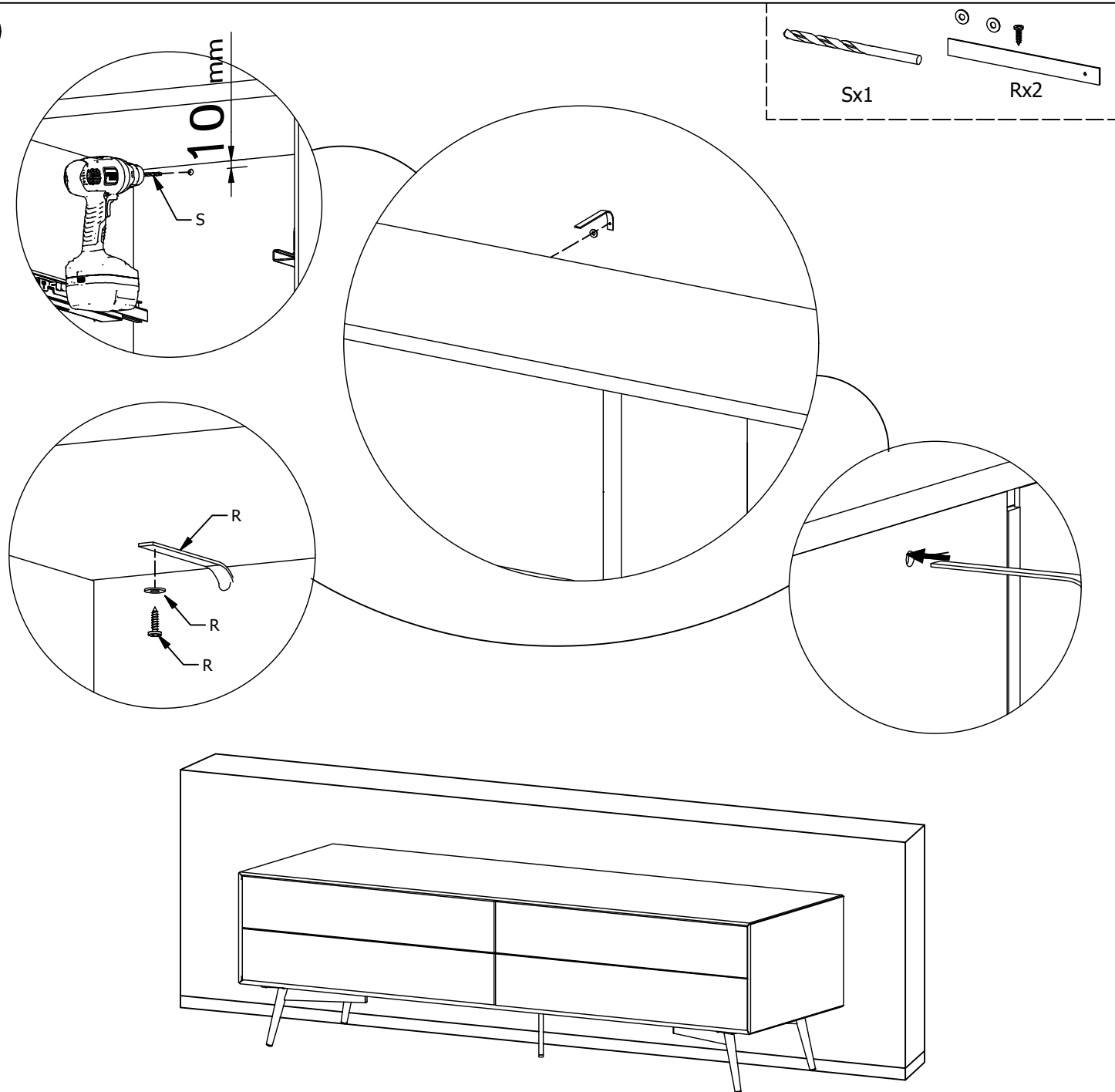
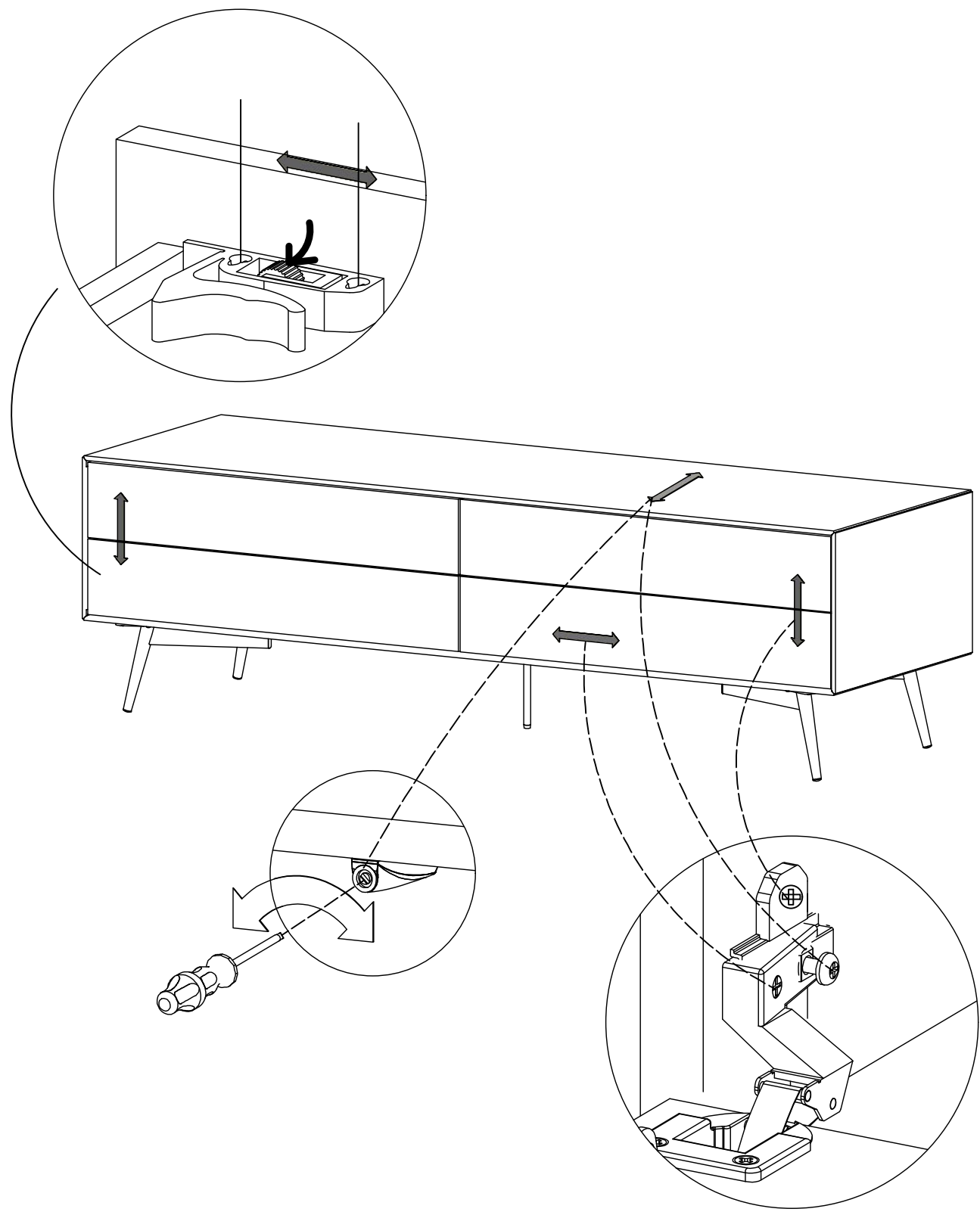


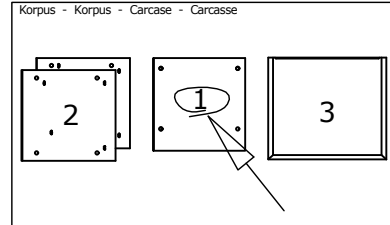
FIG. 19

Justering - Justierung - Adjusting - Réglage - Bijstelling - Ajuste - Regolazione - Afinação



**!** DK Ved reklamation oplyses følgende:  
 D Im Reklamationsfall, bitte folgendes erläutern:  
 US In case of claims, please state the following:  
 F En cas de reclamation, veuillez indiquer:  
 NL Bij service volgene mededelen  
 E En caso de reclamacion, indicar lo siguiente:  
 P No caso de reclamação, por favor indique o seguinte:  
 JP お気づきの点等ございましたら、以下の点をお知らせください。

Example!



Beslag - Fittings - Beschläge - Set de Montaje		
A X 8 1972000014	B X 12 1972000004	C X 4 1979110830
D X 2 1970120000	H X 2 1978504022	J X 8 1978204210